

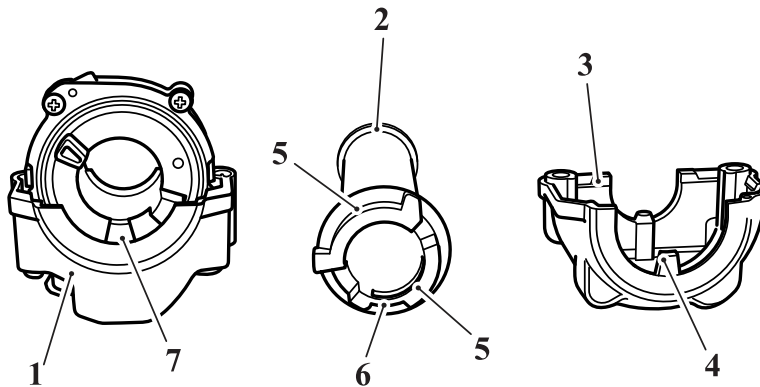
Twist Grip - Installation

WARNING

Before starting work, ensure the motorcycle is stabilised and adequately supported. This will help prevent it from falling and causing injury to the operator or damage to the motorcycle.

Note

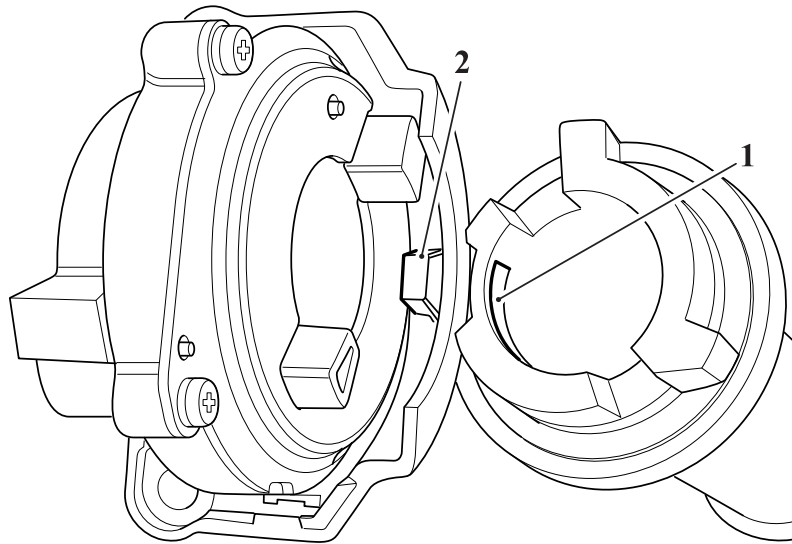
- The twist grip has two guides. One guide has a cut out in it and this guide fits over the lug on the twist grip housing (7).



cjhg

1. Twist grip housing
2. Twist grip
3. Twist grip housing clamp
4. Lug
5. Twist grip guides
6. Cut out in one guide
7. Lug

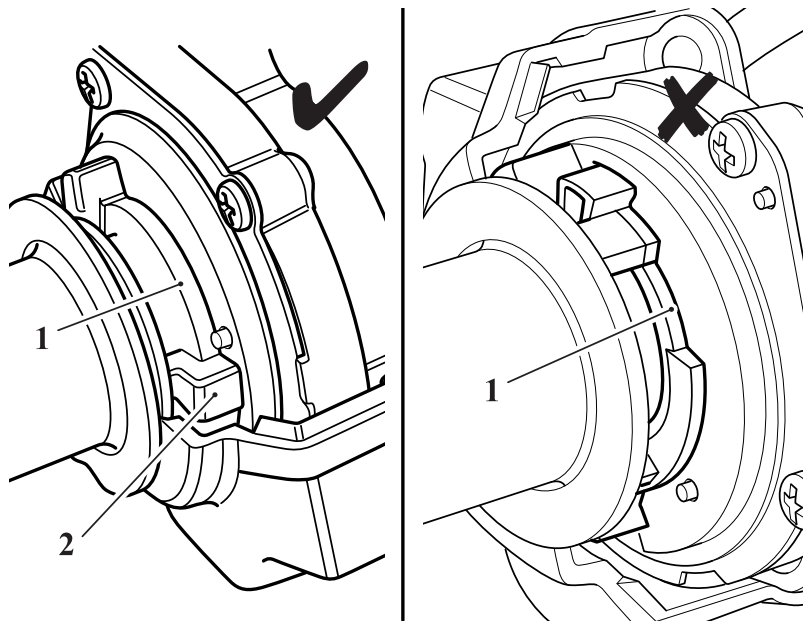
1. If removed, refit the twist grip to the twist grip housing as noted for removal. Ensure the twist grip guide with the cut out aligns with the lug on the twist grip housing.



cjr

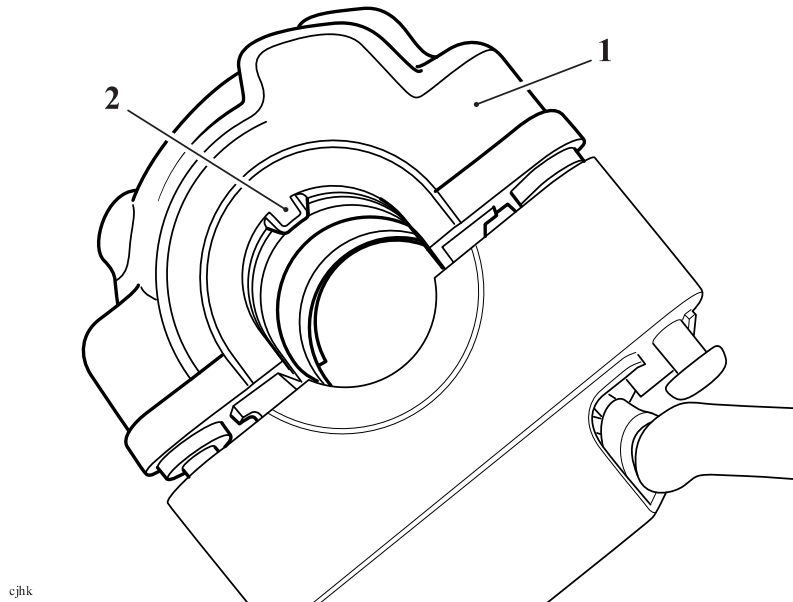
1. **Cut out in the guide**
2. **Locating lug on the twist grip housing**

2. Check and ensure that the twist grip is correctly fitted as shown in the following illustration.



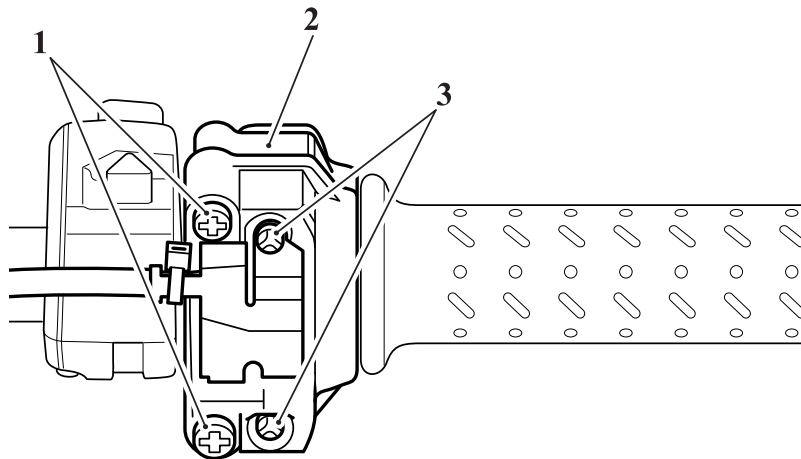
1. **Cut out in twist grip guide**
2. **Twist grip lug**

3. Position the twist grip onto the handlebar.
4. Fit the clamp for the twist grip, ensure that the locating lug on the clamp locates into the hole on the handlebar.



1. Twist grip housing
2. Locating lug (shown removed for clarity)

5. Fit the fixings and tighten, upper one first, to **3.5 Nm**.

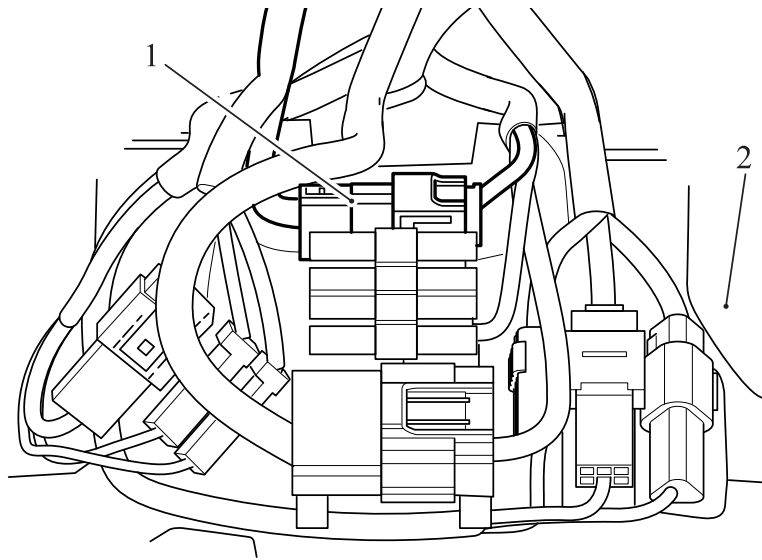


cjhh

1. Twist grip housing fixings
2. Twist grip housing
3. Anti-tamper fixings

6. Route the twist grip harness to the headlight bowl as noted for removal.

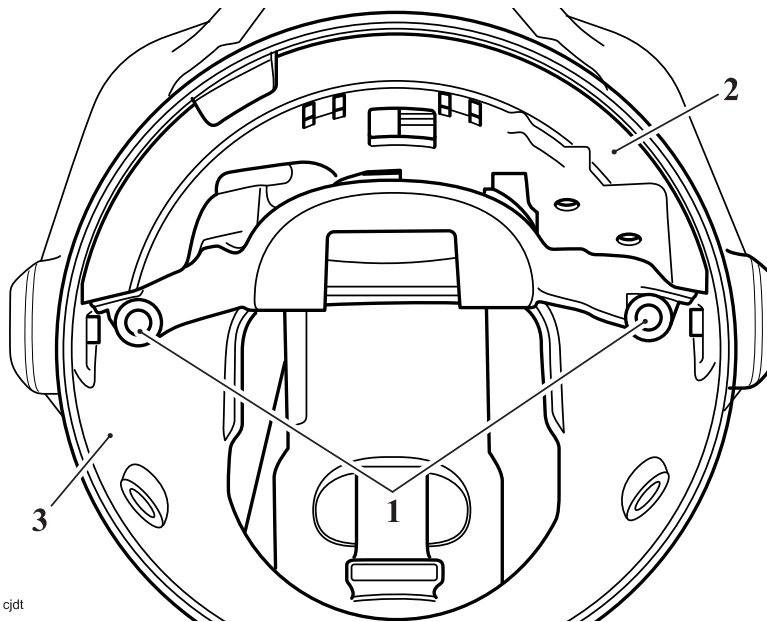
7. On the back of the harness bracket, connect the twist grip electrical connector to the main harness.



cjz

1. Twist grip electrical connector
2. Harness bracket

8. Fit the harness bracket to the headlight bowl and tighten the fixings to **1.5 Nm**.



cjdt

1. Fixings
2. Harness bracket
3. Headlight bowl

- Refit the right hand mirror (see [Mirrors - Installation](#)).
- Refit the headlight to the headlight bowl (see [Headlight - Installation](#)).
- Reconnect the battery, positive (red) lead first (see [Battery - Installation](#)) and tighten the terminals to **4.5 Nm**.

- Refit the seat (see [Seat - Installation](#)).