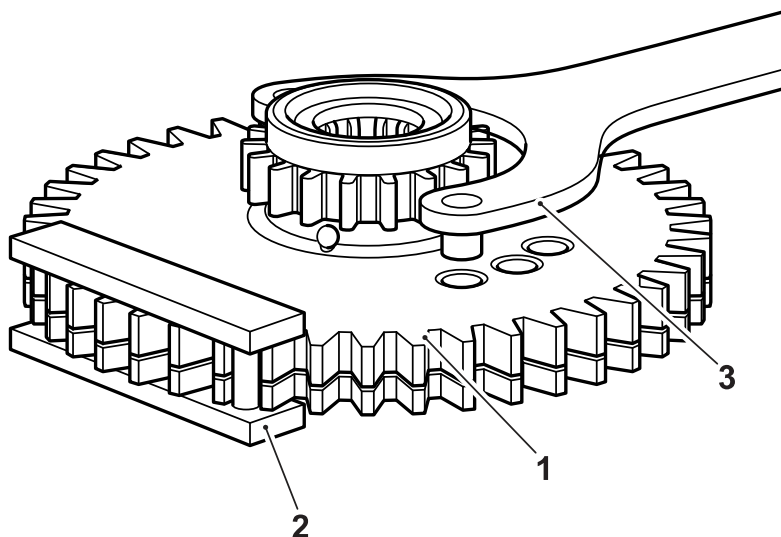


Camshaft Drive Chain and Idler Gear - Installation

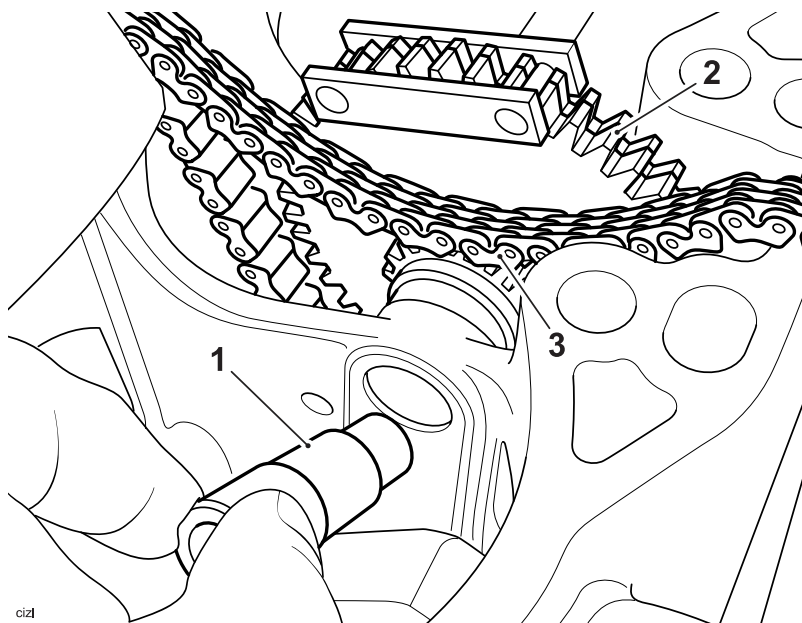
1. Pre-load the backlash gear using T3880041 - Idle Gear Timing Wrench and locking plate T3880016 - Balancer Gear C-Spanner-2 as shown below.



cizm

1. Idler gear
2. Locking plate (part of T3880016 - Balancer Gear C-Spanner)
3. T3880041 - Idle Gear Timing Wrench

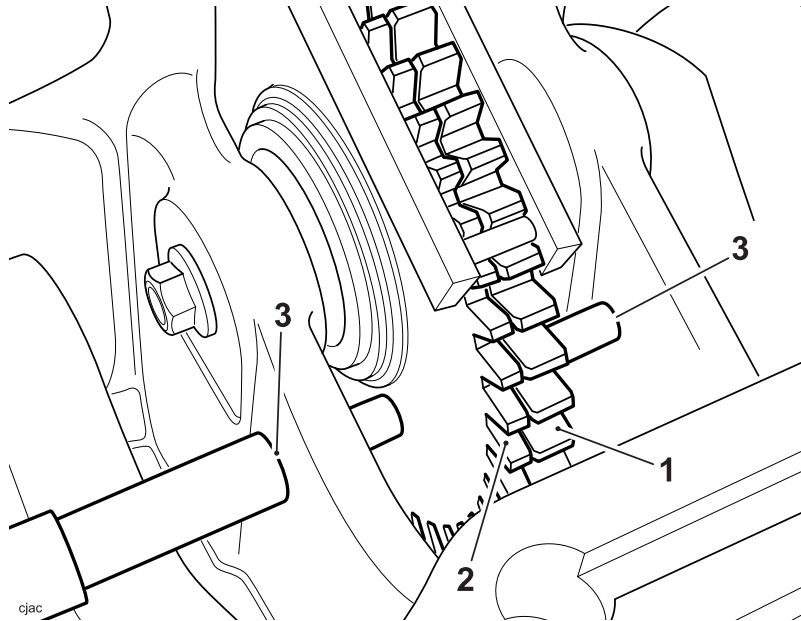
2. Install the camshaft drive chain to the idler gear.
3. Refit the idler gear to the upper crankcase and install the idler gear shaft. Ensure that the marked outer plate on the camshaft drive chain is facing the same direction as noted for removal.



cizl

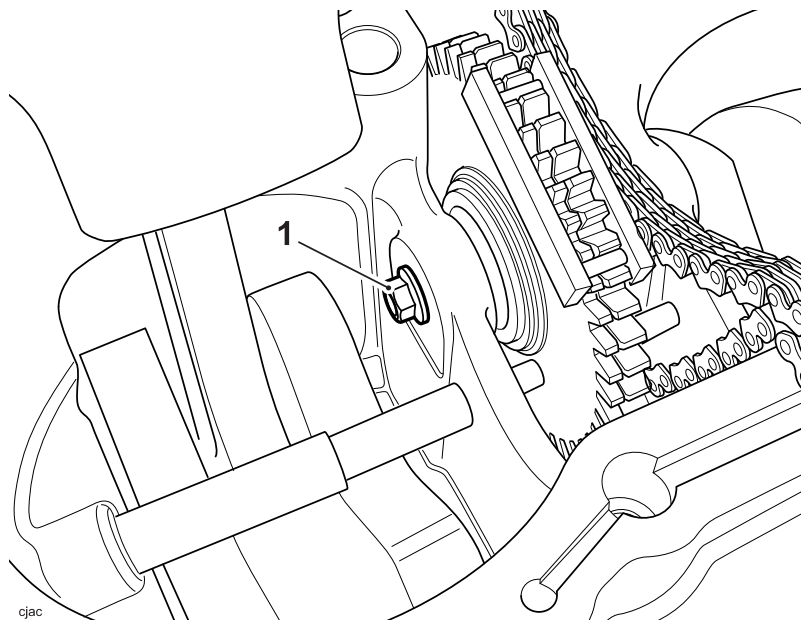
1. Idler gear shaft
2. Idler gear
3. Camshaft drive chain

4. Install T3880039 - Idler Gear Timing Pin through the hole in the crankcase (alternator side) and through the smaller hole in the idler gear, as shown below.



1. Idler gear
2. Backlash gear
3. T3880039 - Idler Gear Timing Pin

5. Install the idler gear shaft and a new fixing, Counter hold the idler shaft and tighten the fixing to **10 Nm**.



1. Fixing

6. Refit the barrel assembly (see [Barrels - Installation](#)).
7. Refit the cylinder head (see [Cylinder Head - Installation](#)).
8. Refit the camshafts (see [Camshaft - Installation](#)).
9. Recheck the tensioner plunger location against the camshaft drive chain tensioner blade.
10. Remove T3880601 - Camshaft Timing Pin from the crankcase.
11. Remove T3880039 - Idler Gear Timing Pin from the idler gear.
 - Refit the camshaft cover (see [Camshaft Cover - Installation](#)).
 - Refit the alternator cover (see [Alternator Cover - Installation](#)).
 - Refit the engine (see [Engine - Installation](#)).
 - Refit the fuel tank (see [Fuel Tank - Installation](#)).
 - Reconnect the battery, positive (red) lead first (see [Battery - Installation](#)) and tighten the terminals to **4.5 Nm**.
 - Refit the seat (see [Seat - Installation](#)).